



HELI

ENGINE POWERED 4-5t

H2000
SERIES

CPCD40/45/50

CPQD40/45/50





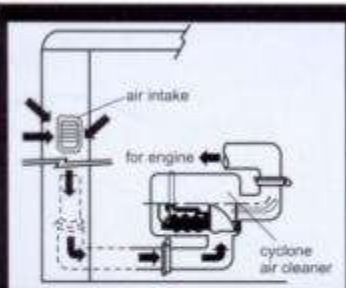
Digital Instrument

- Clear and easy to read
- Instantaneous reading when switched on
- Ergonomical layout



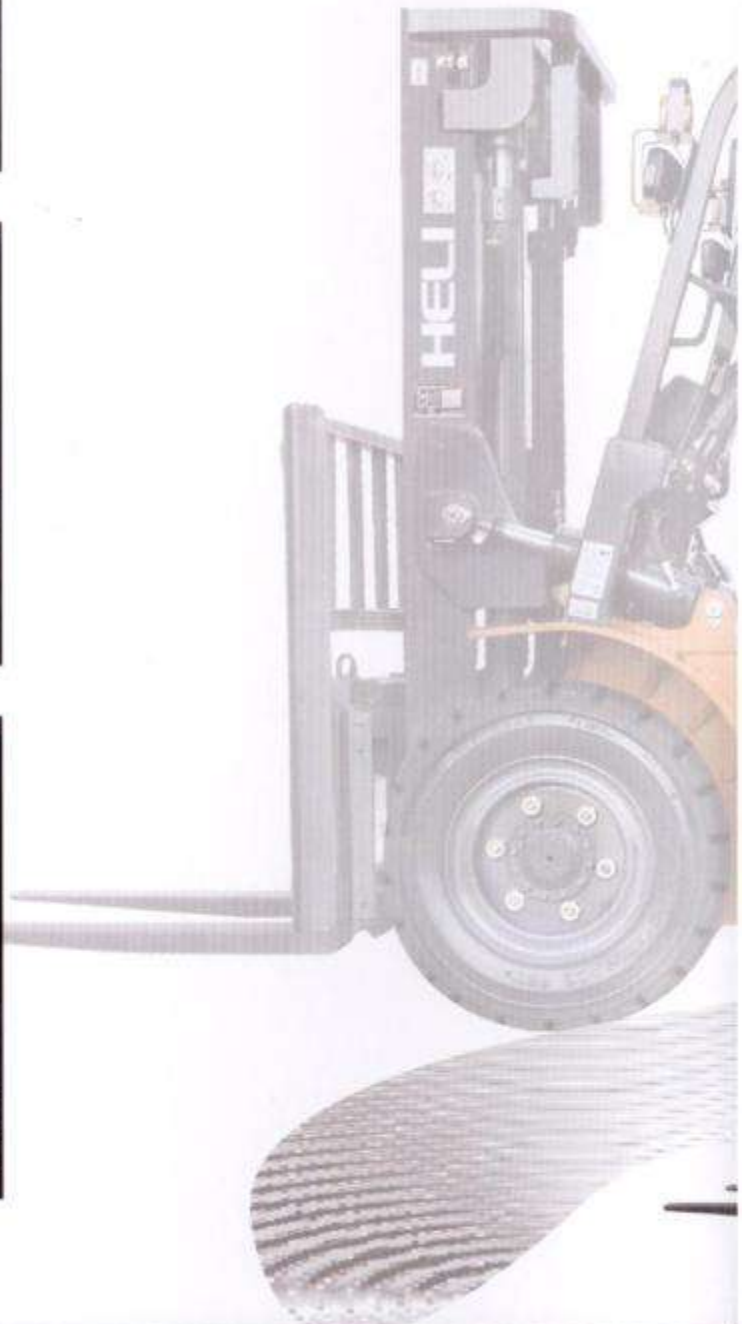
Wide View Mast

- H2000 series forklift trucks are fitted with wide masts that give the operator greater visibility to the front



The large Intake Area of Air Intake System

- The snorkel air intake is situated on one of the pillars for the overhead guard, which is far from the dust being created by the wheels. It breathes in the clean air and reduces the noise.





New Engine

- ISUZU 6BG1 diesel engine
- Rated Power 68kW/2000 r.p.m
- Rated output 6494 cc



The sound-absorbed materials

- Heat-insulation/vibration absorbing
- Lowest noise
- Rubber sealing packing at the gap between engine hood and truck body.



Superior Steering Axle

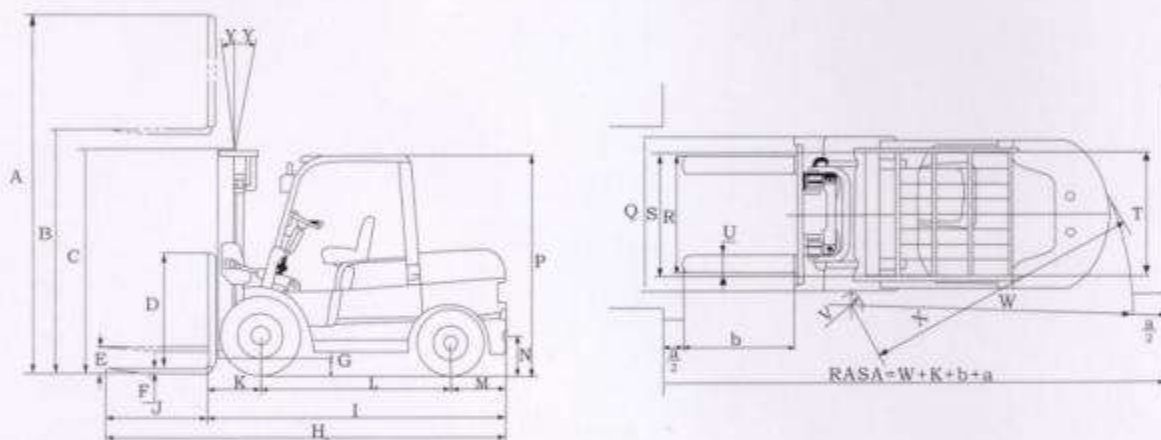
- Fully power assisted steering as standard which is compact and easy to maintain

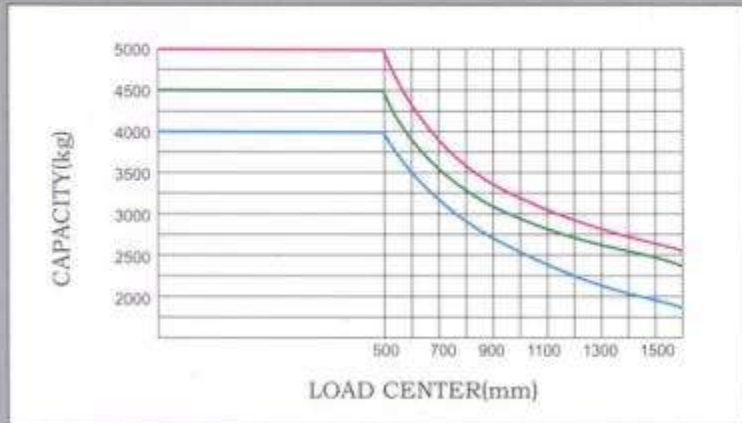


STANDARD DIMENSIONS (Front Single Tire)

Model	CPCD40/CPQD40	CPCD45/CPQD45	CPCD50/CPQD50
	mm	mm	mm
A Overall height fork raised(with backrest)	4200	4200	4200
B Max. fork height	3000	3000	3000
C Overall height fork lowered(upright)	2375	2375	2375
D Backrest height(from upper face of forks)	1217	1217	1217
E Free lift	150	150	150
F Fork thickness	55	55	55
G Min. under-clearance(bottom of mast)	158	158	158
H Overall length(with forks)	4160	4180	4224
I Overall length(without forks)	3090	3110	3154
J Fork length	1070	1070	1070
K Fork overhang	570	570	570
L Wheel base	2000	2000	2000
M Rear overhang	520	540	584
N Coupler height	390	390	390
P Overall height(overhead guard)	2290 (2230)	2290 (2230)	2290 (2230)
Q Overall width	1480	1480	1480
R Lateral fork adjustment(Outside of fork)	300~1340	300~1340	300~1340
S Tread(front)	1180	1180	1180
T Tread(rear)	1190	1190	1190
U Fork width	150	150	150
V Inside turning	220	220	220
W Outside turning radius	2720	2740	2800
X Min. intersecting aisle	3345	3365	3410
Y Tilting angles(forward-backward)	6/12	6/12	6/12

HELI products and specifications are subject to improvement and change without notice.





Note:

Capacities shown are computed with upright in vertical position. Load centers are determined for front face of forks. Capacities are based on a 1000 mm cube load configuration with the center of gravity at the true center of the cube, and standard forks. Truck capacities with upright in forward tilt position will be less. Long forks, and unusually wide or loads may also reduce capacity.



CE Certification



ISO9001 Certification

HELI

MANUFACTURER : ANHUI HELI CO., LTD.

DISTRIBUTOR : ANHUI HELI INDUSTRIAL VEHICLE IMPORT & EXPORT CO., LTD.

SOLD BY

TEL: (0086) 551-3639468, 3632133, 3648005

P.C: 230022

E-mail: heli_jck@heliforklift.com

FAX: (0086) 551-3639966

Add: 15, Wangjiang West Road, Hefei, China

Web site: <http://www.helichina.net>



A-2-0806